

FUSION-SAPP

Fusion-SAPP, a linear luminaire with a prismatic lens or an opal diffuser for use in Interalu SAPP® ceilings. This LED luminaire was developed as an alternative to T5 linear fluorescent luminaires for application in both renovation and new construction projects.

- Seamlessly integrates into Interalu SAPP® ceilings
- Architectural appearance
- Available in two lengths: 1190mm and 1490mm
- Equipped with a prismatic lens (UGR < 19) or an opal diffuser<

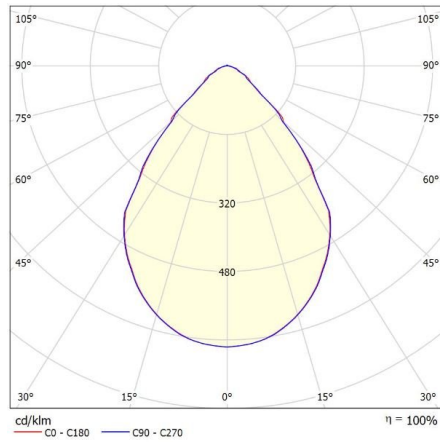
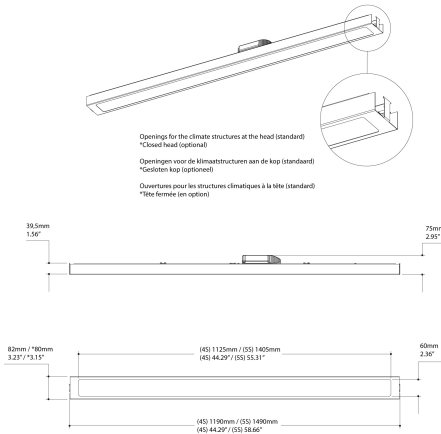
Downloads

[Photometrics Fusion-SAPP](#)

Categories: [Climate ceiling fixtures](#), [Baffle luminaires](#)



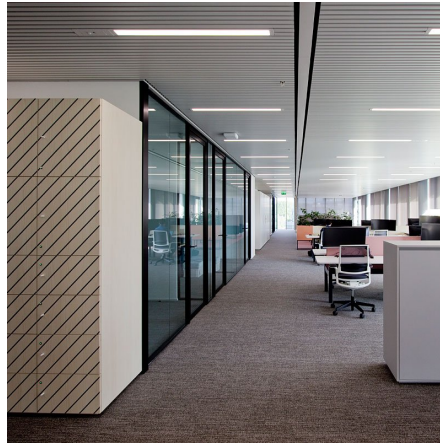
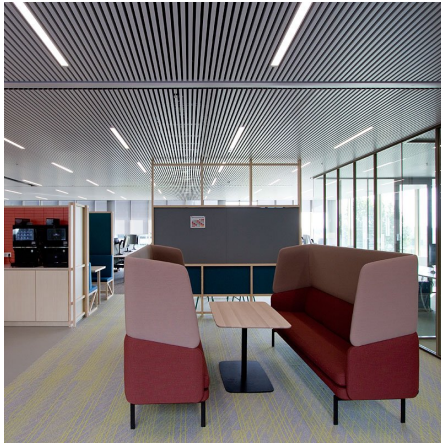
PRODUCT IMAGES

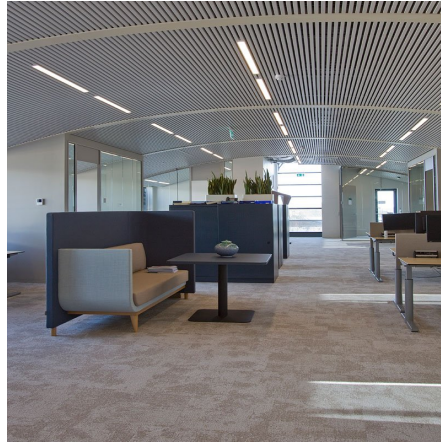


F-waardering volgens UGR

n Plafond	70		50		30		70		50		30	
	50	30	50	30	50	30	50	30	50	30	50	30
n Muren												
n Vloer												
Ruimteafmeting X Y	Perspectief dwars t.o.v. lampenrij						Perspectief langs t.o.v. lampenrij					
2H	2H	17.4	18.4	17.7	18.6	18.8	17.4	18.3	17.7	18.6	18.8	18.8
	3H	17.8	18.6	18.1	18.9	19.1	17.7	18.6	18.0	18.8	19.1	19.1
	4H	17.9	18.7	18.3	19.0	19.3	17.9	18.7	18.3	19.0	19.3	19.3
	6H	18.1	18.8	18.4	19.1	19.4	18.0	18.8	18.4	19.1	19.4	19.4
	12H	18.1	18.8	18.5	19.1	19.4	18.1	18.7	18.4	19.1	19.4	19.4
4H	2H	17.5	18.3	17.8	18.5	18.8	17.4	18.2	17.8	18.5	18.8	18.8
	3H	17.9	18.6	18.3	18.9	19.3	17.9	18.6	18.3	18.9	19.2	19.2
	4H	18.2	18.8	18.6	19.2	19.5	18.2	18.8	18.6	19.1	19.5	19.5
	6H	18.4	18.9	18.8	19.3	19.7	18.4	18.9	18.8	19.3	19.7	19.7
	12H	18.5	18.9	18.9	19.3	19.7	18.5	18.9	18.9	19.3	19.7	19.7
8H	4H	18.3	18.7	18.7	19.1	19.5	18.3	18.7	18.7	19.1	19.5	19.5
	6H	18.5	18.9	19.0	19.3	19.8	18.5	18.9	19.0	19.3	19.8	19.8
	8H	18.6	18.9	19.1	19.4	19.9	18.6	18.9	19.1	19.3	19.8	19.8
	12H	18.7	19.0	19.2	19.4	20.0	18.7	18.9	19.2	19.4	19.9	19.9
	12H	18.3	18.7	18.7	19.1	19.5	18.3	18.7	18.7	19.1	19.5	19.5
12H	6H	18.5	18.8	19.0	19.3	19.8	18.5	18.8	19.0	19.3	19.7	19.7
	8H	18.6	18.9	19.1	19.3	19.9	18.6	18.8	19.1	19.3	19.9	19.9
	8H	18.6	18.9	19.1	19.3	19.9	18.6	18.8	19.1	19.3	19.9	19.9

Variëte op waarnemingshoogte voor lampafstanden 5'
 S = 1.0H +1.2 / -1.7 +1.1 / -1.6
 S = 1.5H +2.3 / -2.1 +2.4 / -1.9
 S = 2.0H +3.8 / -2.8 +3.9 / -2.9
 Standaardtabel BK02 BK02
 Correctie-optebel 0.6 0.6
 Geconigreerde verblindingindicatie in relatie tot 3793lm Totale lichtstroom





Fusion-SAPP, a linear luminaire with a prismatic lens or an opal diffuser for use in Interalu SAPP® ceilings. This LED luminaire was developed as an alternative to T5 linear fluorescent luminaires for application in both renovation and new construction projects.

- Seamlessly integrates into Interalu SAPP® ceilings
- Architectural appearance
- Available in two lengths: 1190mm and 1490mm
- Equipped with a prismatic lens (UGR < 19) or an opal diffuser<

Downloads

[Photometrics Fusion-SAPP](#)

NOTES

ADDITIONAL INFORMATION

Kleurtemperatuur	Tunable White, 2700K
Driver positie	Attached to the fixture, Loose driver
Energielabel	A++
Kleurconsistentie (SDCM)	SDCM=3
Primaire aansluitingen	BST 14i2, Europlug, On request, GST18i3, GST18i5 pastelblauw, On the driver
Ambient temperature	-20°C / +40°C
Photobiological safety	IEC 62471: RG1 (low risc)
Light control	1-10V dimming, Casambi dimming, DALI dimming
Emergency lighting	1 hour emergency power, Optional, Optional 1 hour autonomy self-test
Producttoepassing	Education, Hospitality, Office, Public spaces
Family	Fusion
Armatuurefficiëntie	>140lm/W
Material	Acrylic, Aluminium, Steel
Optics	Microprismatic lens, Opalen diffusor
Isolatieklasse	Class II
Oriëntatie	Down
Shape	Rectangular
Bevestiging	Recessed

