

## **METRONOME-B**

Metronome-B is a linear LED luminaire equipped with 20, 28, or 36 lenses, recessed behind a grid-shaped louver for use in modular grid ceilings. This LED luminaire offers a completely new lighting solution for effective illumination with an architectural aesthetic. A choice can be made between UGR< 19 optics (standard) and UGR< 16.

- Architectural aesthetic with 20, 28, or 36 optics
- Choice between UGR< 19 and UGR< 16 optics
- Louver finish white or high-gloss aluminum
- Flat design for shallow ceiling depths

### **Downloads**

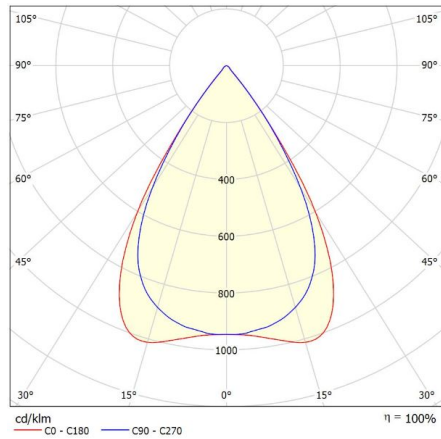
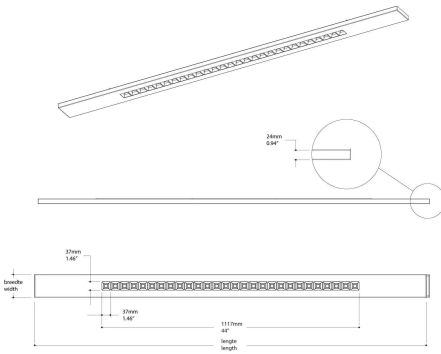
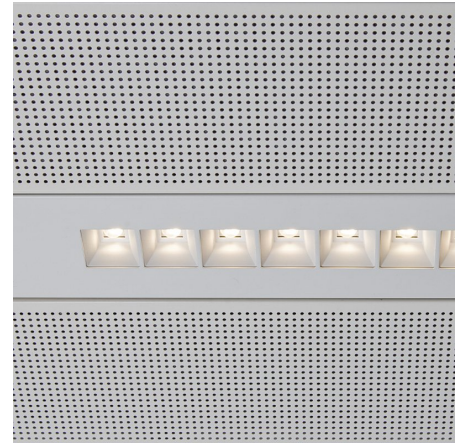
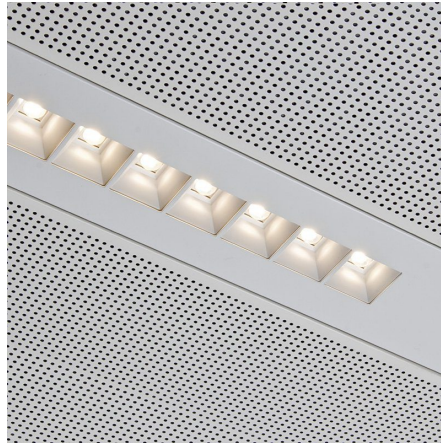
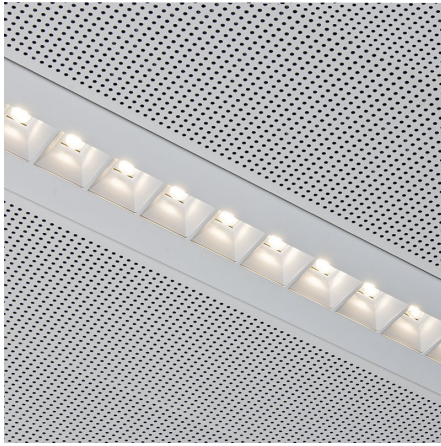
[Photometrics Metronome-B](#)

**Create your own product, download the PDF specification sheet or add to the quotation:**

**Categories:** [Strip grid fixtures](#)



PRODUCT IMAGES



**f-waardering volgens UGR**

ρ Plafond	70	70	50	50	30	70	70	50	50	30		
ρ Muren	50	30	50	30	30	50	30	50	30	30		
ρ Vloer	20	20	20	20	20	20	20	20	20	20		
Ruimteafmeting	X					Y						
	Perspectief dwars					Perspectief langs						
	Lc.v. lampen					Lc.v. lampen						
2H	2H	3H	4H	6H	8H	12H	2H	3H	4H	6H	8H	12H
4H	2H	3H	4H	6H	8H	12H	2H	3H	4H	6H	8H	12H
8H	2H	3H	4H	6H	8H	12H	2H	3H	4H	6H	8H	12H
12H	2H	3H	4H	6H	8H	12H	2H	3H	4H	6H	8H	12H
	16.7	17.4	16.9	17.6	17.8	16.0	16.7	16.2	16.8	17.0	16.6	16.9
	16.6	17.2	16.9	17.5	17.7	15.9	16.5	16.2	16.7	17.0	16.5	16.8
	16.5	17.1	16.9	17.4	17.6	15.8	16.4	16.1	16.7	16.9	16.4	16.7
	16.5	17.0	16.8	17.3	17.6	15.8	16.3	16.1	16.6	16.9	16.3	16.6
	16.4	17.0	16.8	17.2	17.5	15.7	16.3	16.1	16.5	16.8	16.2	16.5
	16.4	16.9	16.8	17.2	17.5	15.7	16.2	16.1	16.5	16.8	16.2	16.5
	16.5	17.1	16.8	17.4	17.6	15.8	16.4	16.1	16.6	16.9	16.4	16.7
	16.4	16.9	16.8	17.2	17.5	15.7	16.2	16.1	16.5	16.8	16.2	16.5
	16.4	16.8	16.8	17.1	17.5	15.7	16.1	16.1	16.4	16.8	16.1	16.4
	16.3	16.7	16.7	17.0	17.4	15.6	16.0	16.0	16.3	16.7	15.9	16.3
	16.3	16.6	16.7	17.0	17.4	15.6	15.9	16.0	16.3	16.7	15.8	16.3
	16.3	16.5	16.7	16.9	17.3	15.6	15.8	16.0	16.2	16.7	15.8	16.2
	16.3	16.6	16.7	17.0	17.4	15.6	15.9	16.0	16.3	16.7	15.8	16.3
	16.2	16.5	16.7	16.9	17.3	15.5	15.8	16.0	16.2	16.6	15.7	16.1
	16.2	16.4	16.6	16.8	17.2	15.5	15.7	16.0	16.1	16.6	15.6	16.1
	16.1	16.3	16.6	16.8	17.2	15.5	15.6	15.9	16.1	16.6	15.5	16.0
	16.3	16.5	16.7	16.9	17.3	15.6	15.8	16.0	16.2	16.6	15.7	16.1
	16.2	16.4	16.6	16.8	17.3	15.5	15.7	16.0	16.1	16.6	15.6	16.1
	16.1	16.3	16.6	16.8	17.2	15.5	15.6	15.9	16.1	16.6	15.5	16.0

Varieër op waarnemingshoek voor lampafstanden 5

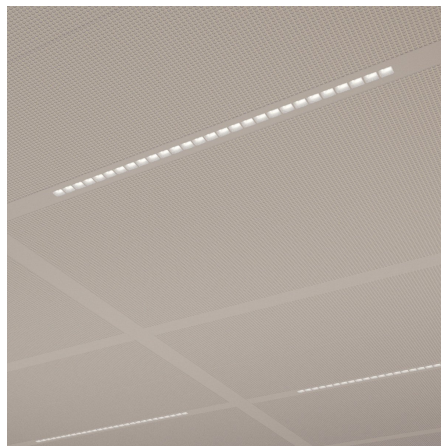
S = 1.0H	+5.6 / -8.4	+5.2 / -7.9
S = 1.5H	+8.4 / -10.5	+7.9 / -8.8
S = 2.0H	+10.4 / -10.5	+9.9 / -9.7

Standaardtabel BK00

Correctie-optabel -1.9

Correctie-optabel -2.6

Geconcentreerde verlichtingsindicatie in relatie tot 40°/60° Totale lichtstroom



Metronome-B is a linear LED luminaire equipped with 20, 28, or 36 lenses, recessed behind a grid-shaped louvers for use in modular grid ceilings. This LED luminaire offers a completely new lighting solution for effective illumination with an architectural aesthetic. A choice can be made between UGR < 19 optics (standard) and UGR < 16.

- Architectural aesthetic with 20, 28, or 36 optics
- Choice between UGR < 19 and UGR < 16 optics
- Louver finish white or high-gloss aluminum
- Flat design for shallow ceiling depths

**Downloads**

[Photometrics Metronome-B](#)

**Create your own product, download the PDF specification sheet or add to the quotation:**

## NOTES

---

---

---

---

---

---

---

## ADDITIONAL INFORMATION

<b>Driver positie</b>	Attached to the fixture, Loose driver
<b>Producttoepassing</b>	Education, Hospitality, Office, Public spaces
<b>Shape</b>	Rectangular
<b>Energielabel</b>	A++
<b>Kleurtemperatuur</b>	Tunable White, 2700K
<b>Primaire aansluitingen</b>	BST 14i2, Europlug, On request, GST18i3, GST18i5 pastelblauw, On the driver
<b>Light control</b>	1-10V dimming, Casambi dimming, DALI dimming
<b>Emergency lighting</b>	1 hour emergency power, Optional, Optional 1 hour autonomy self-test
<b>Air extraction</b>	Optional
<b>Family</b>	Metronome
<b>Armaturefficiëntie</b>	>140lm/W
<b>Voltage / frequency</b>	220-240V, 50 / 60Hz
<b>Material</b>	Steel
<b>Powerfactor</b>	>0.9
<b>Bevestiging</b>	Recessed
<b>Optics</b>	Lens en louver
<b>C-Haak hoogte</b>	N/A
<b>Packaging dimensions</b>	Bulk packaging
<b>CIE Flux code</b>	96 99 100 100 100
<b>Isolatieklasse</b>	Class II
<b>Ambient temperature</b>	-20°C / +40°C
<b>Kleurconsistentie (SDCM)</b>	SDCM=3
<b>Oriëntatie</b>	Down
<b>IP-class</b>	IP20 (upwards)/IP40 (downwards)
<b>Photobiological safety</b>	IEC 62471: RG1 (low risc)

